

DVS-G005I00C

EN Instruction Sheet
TR Bilgi Dökümanı
TW 安裝說明
CN 安装说明

2018-12-27
5014106800-GIC1



- EN ⚡ This is an OPEN TYPE module and therefore should be installed in an enclosure free of airborne dust, humidity, electric shock and vibration. The enclosure should prevent non-maintenance staff from operating the device (e.g. key or specific tools are required for operating the enclosure) in case danger and damage on the device may occur. If the equipment is used in a manner not specified by the manufacturer, the protection provided by the equipment may be impaired. Use dry cloth to clean the product.
- FR ⚡ Ceci est un module ouvert et il doit donc être installé dans un coffret à l'abri des poussières, des vibrations et ne pas être exposé aux chocs électriques. Le boîtier ou l'armoire doit éviter toute action d'un personnel autre que celui affecté à la maintenance de l'appareil (par exemple, clefs, outils spécifiques pour l'ouverture du coffret), ceci afin d'éviter tout accident corporel ou endommagement du produit). Si cet équipement est utilisé en dehors des préconisations du fabricant, les systèmes de protection qu'il intègre peuvent s'en trouver altérés. Utiliser un chiffon sec pour nettoyer le produit.
- TR ⚡ Bu ürün AÇIK TİP bir modül olup toz, rutubet, elektrik şoku ve titreşimden uzak kapalı yerlerde muhafaza edilmelidir. Yanlış kullanım sonucu ürünün zarar görmesini önlemek için yetkili olmayan kişiler tarafından ürüne müdahale edilmesini önleyecek koruyucu önlemler alınmalıdır. (Ürünün bulunduğu panoya kilit konulması gibi). Ekipman, üretici tarafından belirtilmeyen bir şekilde kullanılırsa, ekipman tarafından sağlanan koruma zarar görebilir. Ürünü temizlemek için kuru bez kullanılmalıdır.
- TW ⚡ 本機為開放型 (OPEN TYPE) 機種，因此使用者使用本機時，必須將之安裝於具防塵、防潮及免於電擊/衝擊意外之外殼配線箱內。另必須具備保護措施 (如：特殊之工具或鑰匙才可打開) 防止非維護人員操作或意外衝擊本體，造成危險及損壞。如果設備未依製造商指示使用，則設備提供的保護可能會受到損害。產品如有髒污，請以乾布擦拭。
- CN ⚡ 本机为开放型 (OPEN TYPE) 机种，因此使用者使用本机时，必须将其安装于具防尘、防潮及免于电击/冲击意外的外壳配线箱内。另必须具备保护措施 (如：特殊的工具或钥匙才可打开) 防止非维护人员操作或意外冲击本体，造成危险及损坏。如果设备未依制造商指示使用，则设备提供的保护可能会受到损害。产品如有脏污，请以干布擦拭。

EN	Assembly	TR	Montaj	TW	安裝	CN	組裝
EN	Attach the back trench of the device to the mounting rail in arrow ① direction and push the device against the rail in arrow ② direction. To disassemble, first push down the device in arrow ① direction and follow arrow ③ direction to release the device.						
TR	Cihazın arka kanalını montaj rayına ok ① yönünde takın ve cihazı ok ② yönünde raya doğru itin. Sökmek için, önce cihazı ok ① yönünde aşağı doğru bastırın ve cihazı serbest bırakmak için ok ③ yönünü izleyin.						
TW	將機器後方勾槽依 1 號箭頭方向掛上鋁軌並依 2 號箭頭方向往鋁軌壓，即完成。欲取下機器時，依 1 號箭頭方向向下壓並依 3 號箭頭方向取出。						
CN	將機器後方勾槽依 1 號箭頭方向挂上鋁軌并依 2 號箭頭方向往鋁軌壓，即完成。欲取下機器時，依 1 號箭頭方向向下壓并依 3 號箭頭方向取出。						

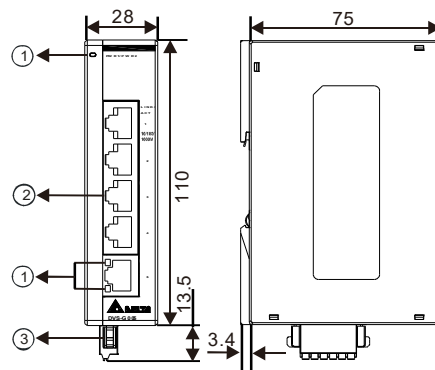
EN	Pin definition	TR	Pin açıklama	TW	接腳定義	CN	接脚定义							
	RJ45				Power Input									
1	TP0+	2	TP0-	3	TP1+	4	TP2+				75°C	< 1mm	8-10mm	24-22AWG
5	TP2-	6	TP1-	7	TP3+	8	TP3-							

EN Dimensions(mm) & Product Profile

TR Ölçüler(mm) & Ürün Görünüşü

TW 尺寸 (mm) 及產品外觀

CN 尺寸 (mm) 及產品外觀



EN	TR	TW	CN
1 LED indicator	LED gösterge	LED 指示燈	LED 指示燈
2 Ethernet port(RJ45)	Ethernet bağlantı noktası (RJ45)	Ethernet 通訊埠 (RJ45)	Ethernet 通訊口 (RJ45)
3 Power terminal	Güç terminali	電源輸入端子台	电源输入端子台

EN	TR	TW	CN
LED indicator	LED gösterge	LED 指示燈	LED 指示燈
PWR1/PWR2	Green ON/OFF	Power ON/OFF	
LINK/ACT	Green ON/OFF	RJ45 Port Link ON/OFF	
	Green Flash	RJ45 Port ACT	
10/100/1000M	Yellow ON	RJ45 Port Speed is 1000Mbps	
	Yellow OFF	RJ45 Port Speed is 10/100Mbps	

EN	TR	TW	CN
Specification	Spesifikasyonu	產品規格	产品规格
Model Description	5 ports Unmanaged Giga Ethernet Switch		Features
Power Supply	+12V ~ +48VDC, Max 3.6W, Redundant input, CLASS III Supplied by SELV/LPS/CLASS 2 Power Source		
Operation/Storage Tem.	-20°C ~ 70°C/-40°C ~ 85°C		RJ45 Port
Pollution degree	2		10/100/1000Base-T, Auto MDI/MDI-X
		Weight	125g

Part Name	Hazardous Substances						台達電子工業股份有限公司 機電事業群 地址：33068 桃園市桃園區興隆路 18 號 電話：886-3-3626301 傳真：886-3-3716301	Industrial Automation Headquarters Delta Electronics, Inc. Taoyuan Technology Center No.18, Xinglong Rd., Taoyuan District, Taoyuan City, 33068, Taiwan TEL: 886-3-362-6301 / FAX: 886-3-371-6301
	鉛(Pb)	汞(Hg)	鎘(Cd)	六價鉻 (Cr VI)	多環聯苯 (PBB)	多環二苯醚 (PBDE)		
金屬部件 Metal Part	X	O	O	O	O	O	中達電通股份有限公司 地址：上海市浦東新區民夏路 238 號 郵編：201209 電話：(021) 5863-5678 傳真：(021) 5863-0003	Delta Greentech (China) Co., Ltd. 238 Min-Xia Road, Pudong District, Shanghai, P.R.C. 201209 TEL: 86-21-5863-5678 / FAX: 86-21-5863-0003
塑料部件 Plastic Part	O	O	O	O	O	O		
電子件 Electronic	X	O	O	O	O	O	上海 電話：(021)6301-2827	南京 電話：(0791)8625-5010
觸點 Contacts	O	O	X	O	O	O		
線纜和線纜附件 Cable & Cabling accessories	X	O	O	O	O	O	武漢 電話：(027)8544-847	長沙 電話：(0731)8827-7881
電池 Battery	O	O	O	O	O	O	濟南 電話：(0531)8690-7277	鄭州 電話：(0371)6384-2772
							烏魯木齊 電話：(0991)4678-141	西安 電話：(029)8636-0780
							沈陽 電話：(024)2334-16123	長春 電話：(0431)8892-5060

本表格依據 SJ/T 11364 的規定編制。
 O：表示該有害物質在該部件所有均質材料中的含量均在 GB/T 26572 規定的限量要求以下。
 X：表示該有害物質至少在該部件的某一均質材料中的含量超出 GB/T 26572 規定的限量要求。
 This table is made according to SJ/T 11364.
 O: Indicates that the concentration of hazardous substance in all of the homogeneous materials for this part is below the limit as stipulated in GB/T 26572.
 X: Indicates that concentration of hazardous substance in at least one of the homogeneous materials used for this part is above the limit as stipulated in GB/T 26572.

<p>Asia</p> <p>Delta Electronics (Shanghai) Co., Ltd. No.182 Minyu Rd., Pudong Shanghai, P.R.C. Post code: 201209 TEL: 86-21-6872-3988 / FAX: 86-21-6872-3996 Customer Service: 400-820-9595</p> <p>Delta Electronics (Japan), Inc. Tokyo Office Industrial Automation Sales Department 2-1-14 Shibadimon, Minato-ku Tokyo, Japan 105-0012 TEL: 81-3-5733-1155 / FAX: 81-3-5733-1255</p> <p>Delta Electronics (Korea), Inc. Seoul Office 1511, 219, Gasan Digital 1-Ro., Geumcheon-gu, Seoul, 06501 South Korea TEL: 82-2-515-5305 / FAX: 82-2-515-5302</p> <p>Delta Energy Systems (Singapore) Pte Ltd. 4 Kaki Bukit Avenue 1, #05-04, Singapore 417939 TEL: 65-6747-5155 / FAX: 65-6744-9228</p> <p>Delta Electronics (India) Pvt. Ltd. Plot No.43, Sector 35, HSIIDC Gurgaon, PIN 122001, Haryana, India TEL: 91-124-4874900 / FAX: 91-124-4874945</p> <p>Delta Electronics (Thailand) PCL. 909 Soi 9, Moo 4, Bangpoo Industrial Estate (E.P.Z), Pattana 1 Rd., T.Phraksa, A Muang, Samutprakarn 10280, Thailand TEL: 66-2709-2800 / FAX: 662-709-2827</p> <p>Delta Energy Systems (Australia) Pty Ltd. Unit 20-21/45 Normanby Rd., Notting Hill Vic 3168, Australia TEL: 61-3-9543-3720</p>	<p>Americas</p> <p>Delta Electronics (Americas) Ltd. Raleigh Office P.O. Box 12173, 5101 Davis Drive, Research Triangle Park, NC 27709, U.S.A. TEL: 1-919-767-3813 / FAX: 1-919-767-3969</p> <p>Delta Greentech (Brasil) S/A São Paulo Office Rua Itapeva, 26 - 3º Andar - Bela Vista CEP: 01332-000 - São Paulo - SP - Brasil TEL: 55-11-3530-8642 / 55-11-3530-8640</p> <p>Delta Electronics International Mexico S.A. de C.V. Mexico Office Via Dr. Gustavo Baz No. 2160, Colonia La Loma, 54060 Tlalneantla Estado de Mexico TEL: 52-55-2628-3015 #3050/3052</p> <p>EMEA</p> <p>Headquarter: Delta Electronics (Netherlands) B.V. Sales: Sales IA.EMEA@deltaww.com Marketing: Marketing IA.EMEA@deltaww.com Technical Support: itatechnicalsupport@deltaww.com Customer Support: Customer-Support@deltaww.com Service: Service IA.amea@deltaww.com TEL: +31(0)40 800 3800</p> <p>BENELUX: Delta Electronics (Netherlands) B.V. De Wittebogt 20, 5652 AG Eindhoven, The Netherlands Mail: Sales IA.Benelux@deltaww.com TEL: +31(0)40 800 3800</p> <p>DACH: Delta Electronics (Netherlands) B.V. Coesterweg 45, D-53044 Sost, Germany Mail: Sales IA.DACH@deltaww.com TEL: +49(0)2921 987 0</p>	<p>France: Delta Electronics (France) S.A. Zi du bois Challand 2, 15 rue des Pyrénées, Lisses, 91090 Evry Cedex, France Mail: Sales IA.FR@deltaww.com TEL: +33(0)1 69 77 82 60</p> <p>Iberia: Delta Electronics Solutions (Spain) S.L.U Ctra. De Villaverde a Vallecas, 265 1º Dcha Ed. Hormigueras - P.I. de Vallecas 28031 Madrid TEL: +34(0)91 223 74 20 C/Ulull: 321-329 (edifici CNC) 122@Barcelona, 08019 Barcelona Mail: Sales IA.Iberia@deltaww.com TEL: +34 93 303 00 60</p> <p>Italy: Delta Electronics (Italy) S.r.l. Ufficio di Milano Via Senigallia 18/2 20161 Milano (MI) Piazza Grazioli 18 00186 Roma Italy Mail: Sales IA.Italy@deltaww.com TEL: +39 02 64672538</p> <p>Russia: Delta Energy System LLC Vereyskaya Plaza II, office 112 Vereyskaya str. 17 121357 Moscow Russia Mail: Sales IA.RU@deltaww.com TEL: +7 495 644 3240</p> <p>Turkey: Delta Greentech Elektronik San. Ltd. Sti. (Turkey) Serifali Mah. Hendem Cad. Kule Sok. No:16-A 34775 Ümraniye - İstanbul Mail: Sales IA.Turkey@deltaww.com TEL: +90 216 499 9910</p> <p>GCC: Delta Energy Systems AG (Dubai BR) P.O. Box 85658, Gate 7, 3rd Floor, Hamraia Centre Dubai, United Arab Emirates Mail: Sales IA.MEA@deltaww.com TEL: +971(0)4 2690148</p> <p>Egypt + North Africa: Delta Electronics 511 Cairo Business Plaza, North 90 street, New Cairo, Cairo, Egypt Mail: Sales IA.MEA@deltaww.com</p>
---	---	--