

# AX-502PT10-0B

# AX-504PT10-0B

EN Instruction Sheet

TR Bilgi Dökümanı

TW 安裝說明

CN 安装说明



5014153400  
2023-06-10



[www.deltaww.com](http://www.deltaww.com)



- EN** This is an OPEN TYPE module and therefore should be installed in an enclosure free of airborne dust, humidity, electric shock and vibration. The enclosure should prevent non-maintenance staff from operating the device (e.g. key or specific tools are required for operating the enclosure) in case danger and damage on the device may occur.
- FR** Ceci est un module ouvert et il doit donc être installé dans un coffret à l'abri des poussières, des vibrations et ne pas être exposé aux chocs électriques. Le boîtier ou l'armoire doit éviter toute action d'un personnel autre que celui affecté à la maintenance de l'appareil (par exemple, clefs, outils spécifiques pour l'ouverture du coffret), ceci afin d'éviter tout accident corporel ou endommagement du produit).
- TR** Bu ürün AÇIK TİP bir modül olup toz, rutubet, elektrik şoku ve titreşimden uzak kapalı yerlerde muhafaza edilmelidir. Yanlış kullanım sonucu ürünün zarar görmesini önlemek için yetkili olmayan kişiler tarafından ürüne müdahale edilmesini önleyecek koruyucu önlemler alınmalıdır. (Ürünün bulunduğu panoya kilit konulması gibi).
- TW** 本機為開放型 (OPEN TYPE) 機種。因此使用者使用本機時，必須將之安裝於具防塵、防潮及免於電擊/衝擊意外之外殼配線箱內。另必須具備保護措施 (如：特殊之工具或鑰匙才可打開) 防止非維護人員操作或意外衝擊本體，造成危險及損壞。
- CN** 本机为开放型 (OPEN TYPE) 机种。因此使用者使用本机时，必须将其安装于具防尘、防潮及免于电击/冲击意外的外壳配线箱内。另必须具备保护措施 (如：特殊的工具或钥匙才可打开) 防止非维护人员操作或意外冲击本体，造成危险及损坏。

EN Please refer to the AX-5 Series Module Manual for details

TR Ayrıntılar için lütfen AX-5 Serisi Modül Kılavuzu'na bakın.

TW 詳細資料請參考 AX-5 系列模組手冊

CN 详细数据请参考 AX-5 系列模块手册

EN Assembly

TR Montaj

TW 安裝

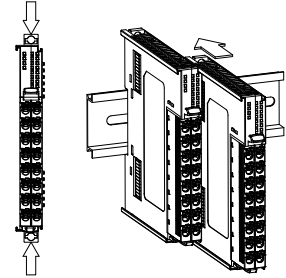
CN 组装

EN Clip up the two DIN rail clip on the module. Parallel the module groove on the back to the DIN rail, then push and slide along until hearing a click.

TR Modül üzerindeki iki DIN ray klipsini dışa doğru çekin. Altındaki modül oyuğunu DIN ray ile paralel konuma getiriniz ve sonra klik sesini duyana kadar klipsleri içe doğru bastırın.

TW 將模組上下方的兩個 DIN 軌固定扣往中間壓後，將模組後方勾槽平行對準 DIN 軌並往 DIN 軌壓直到喀一聲，即完成。

CN 將模块上下方的两个 DIN 軌固定扣往中间压后，將模块後方勾槽平行對準 DIN 軌並往 DIN 軌壓直到喀一聲，即完成。

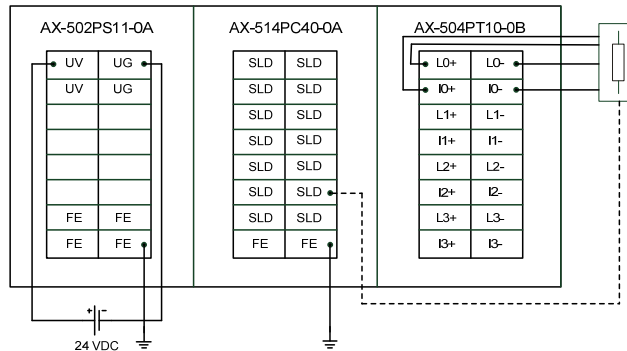


EN Input

TR Girişler

TW 輸入

CN 輸入



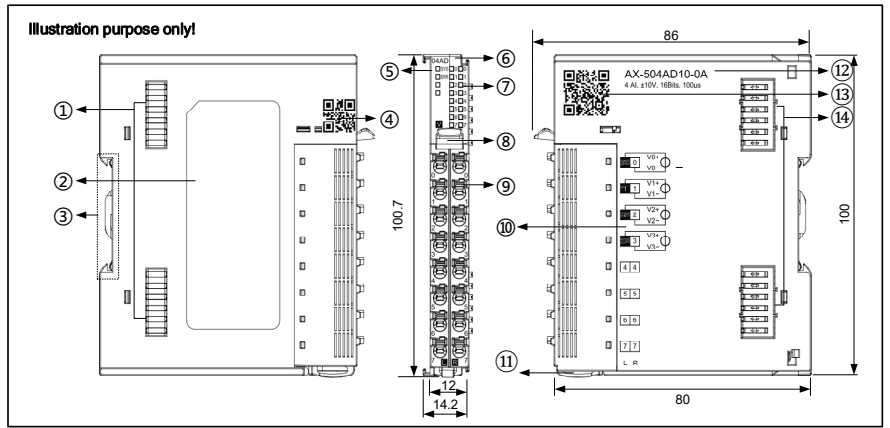
EN 2/4 RTD, PT100, PT1000, Ni100, Ni1000, 0~300Ω, 24 Bits

TR 2/4 RTD, PT100, PT1000, Ni100, Ni1000, 0 ~ 300Ω, 24 bit

TW 2/4 通道熱電阻溫度感測，PT100 · PT1000 · Ni100 · Ni1000 · 0~300Ω · 24 Bits

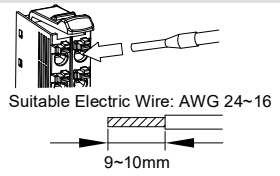
CN 2/4 通道熱電阻溫度感測，PT100 · PT1000 · Ni100 · Ni1000 · 0~300Ω · 24 Bits

EN Dimensions(mm) & Product Profile  
 TR Ölçüler(mm) & Ürün Görünüşü  
 TW 尺寸 (mm) 及產品外觀  
 CN 尺寸 (mm) 及產品外觀



	EN	TR	TW	CN
1	AX connector (L)	AX Konnektörü (L)	AX 連接器 (L)	AX 连接器 (L)
2	Label	Etiket	標籤	标签
3	DIN rail clip	Din rayı Klipsi	DIN 軌固定扣	DIN 軌固定扣
4	QR Code (Model number)	QR kodu (model numarası)	機種型號 QR Code	机种型号 QR Code
5	System status indicator	Sistem Durumu Göstergesi	系統狀態燈	系统状态灯
6	Model code	Model kodu	機種代碼	机种代码
7	Channel status indicator	Kanal Durum Göstergesi	通道狀態燈	通道状态灯
8	Spring to hold the connection	Bağlantıyı tutmak için yay	脫落式端子拉勾	脱落式端子卡扣
9	Spring-clamp terminal block	Yay-kelepçe terminal bloğu	脫落式端子	脱落式端子
10	Wiring	Kablolama	配線圖	配线图
11	Wire fastener	Kablo Bağı	電線固定環	电线固定环
12	Model number and model description	Model Numarası ve Model Tanımı	機種型號及功能說明	机种型号及功能说明
13	QR Code (Model number and model description)	QR kodu (model numarası ve model açıklaması)	機種型號及功能說明 QR Code	机种型号及功能说明 QR Code
14	AX connector (R)	AX Konnektörü (R)	AX 連接器 (R)	AX 连接器 (R)

	EN	TR	TW	CN
EN Wiring		Bağlantı	配線	配线
EN	Use solid or strand wires in a diameter of 24 AWG – 16 AWG and with wire ferrules for inputs and outputs.			
TR	Girişler ve çıkışlar için 24 AWG - 16 AWG çapında tek veya çok telli kablo ile birlikte ucunda kablo pabucu kullanın.			
TW	輸出 / 入配線端請使用 24-16AWG 單蕊或多蕊線+棒端子。端子規格及配線示意圖如右所示。			
CN	輸出 / 入配線端請使用 24-16AWG 單蕊或多蕊線+棒端子。端子規格及配線示意图如右所示。			



Part Name	Hazardous Substances						Industrial Automation Headquarters Delta Electronics, Inc.																																																												
	Pb	Hg	Cd	Cr VI	PBB	PBDE																																																													
Metal Part	X	O	O	O	O	O	<b>Industrial Automation Headquarters</b> <b>Delta Electronics, Inc.</b> Taoyuan Technology Center No.18, Xinglong Rd., Taoyuan District, Taoyuan City, 33068, Taiwan TEL: 886-3-362-6301 / FAX: 886-3-371-6301																																																												
Plastic Part	O	O	O	O	O	O																																																													
Electronic	X	O	O	O	O	O	<b>Delta Greentech (China) Co., Ltd.</b> 238 Min-Xia Road, Pudong District, Shanghai, P.R.C. 201209 TEL: 86-21-5863-5678 / FAX: 86-21-5863-0003																																																												
Contacts	O	O	X	O	O	O																																																													
Cable & Cabling accessories	X	O	O	O	O	O	<table border="0"> <tr> <td>沈阳</td><td>济南</td><td>杭州</td><td>重庆</td><td>乌鲁木齐</td><td>天津</td></tr> <tr> <td>电话:(024)2334-1160</td><td>电话:(0531)8690-6277</td><td>电话:(0571)8882-0610</td><td>电话:(023)8806-0306</td><td>电话:(0991)4678-141</td><td>电话:(022)2301-5082</td></tr> <tr> <td>哈尔滨</td><td>太原</td><td>合肥</td><td>昆明</td><td>兰州</td><td>南京</td></tr> <tr> <td>电话:(0451)5366-5568</td><td>电话:(0351)4039-485</td><td>电话:(0551)6281-6777</td><td>电话:(0871)6313-7362</td><td>电话:(0931)6406-725</td><td>电话:(025)8334-6585</td></tr> <tr> <td>长春</td><td>郑州</td><td>武汉</td><td>广州</td><td>西安</td><td>长沙</td></tr> <tr> <td>电话:(0431)8892-5060</td><td>电话:(0371)6384-2772</td><td>电话:(027)8544-8475</td><td>电话:(020)3879-2175</td><td>电话:(029)8836-0780</td><td>电话:(0731)8549-9156</td></tr> <tr> <td>呼和浩特</td><td>石家庄</td><td>南昌</td><td>厦门</td><td>贵阳</td><td>福州</td></tr> <tr> <td>电话:(0471)6297-808</td><td>电话:(0311)8666-7337</td><td>电话:(0791)8625-5010</td><td>电话:(0592)5313-601</td><td>电话:(0851)8690-1374</td><td>电话:(0591)8755-1305</td></tr> <tr> <td>北京</td><td>上海</td><td>成都</td><td>南宁</td><td>北京</td><td>上海</td></tr> <tr> <td>电话:(010)8225-3225</td><td>电话:(021)6301-2827</td><td>电话:(028)8434-2075</td><td>电话:(0771)2621-501</td><td>电话:(010)8225-3225</td><td>电话:(021)6301-2827</td></tr> </table>	沈阳	济南	杭州	重庆	乌鲁木齐	天津	电话:(024)2334-1160	电话:(0531)8690-6277	电话:(0571)8882-0610	电话:(023)8806-0306	电话:(0991)4678-141	电话:(022)2301-5082	哈尔滨	太原	合肥	昆明	兰州	南京	电话:(0451)5366-5568	电话:(0351)4039-485	电话:(0551)6281-6777	电话:(0871)6313-7362	电话:(0931)6406-725	电话:(025)8334-6585	长春	郑州	武汉	广州	西安	长沙	电话:(0431)8892-5060	电话:(0371)6384-2772	电话:(027)8544-8475	电话:(020)3879-2175	电话:(029)8836-0780	电话:(0731)8549-9156	呼和浩特	石家庄	南昌	厦门	贵阳	福州	电话:(0471)6297-808	电话:(0311)8666-7337	电话:(0791)8625-5010	电话:(0592)5313-601	电话:(0851)8690-1374	电话:(0591)8755-1305	北京	上海	成都	南宁	北京	上海	电话:(010)8225-3225	电话:(021)6301-2827	电话:(028)8434-2075	电话:(0771)2621-501	电话:(010)8225-3225	电话:(021)6301-2827
沈阳	济南	杭州	重庆	乌鲁木齐	天津																																																														
电话:(024)2334-1160	电话:(0531)8690-6277	电话:(0571)8882-0610	电话:(023)8806-0306	电话:(0991)4678-141	电话:(022)2301-5082																																																														
哈尔滨	太原	合肥	昆明	兰州	南京																																																														
电话:(0451)5366-5568	电话:(0351)4039-485	电话:(0551)6281-6777	电话:(0871)6313-7362	电话:(0931)6406-725	电话:(025)8334-6585																																																														
长春	郑州	武汉	广州	西安	长沙																																																														
电话:(0431)8892-5060	电话:(0371)6384-2772	电话:(027)8544-8475	电话:(020)3879-2175	电话:(029)8836-0780	电话:(0731)8549-9156																																																														
呼和浩特	石家庄	南昌	厦门	贵阳	福州																																																														
电话:(0471)6297-808	电话:(0311)8666-7337	电话:(0791)8625-5010	电话:(0592)5313-601	电话:(0851)8690-1374	电话:(0591)8755-1305																																																														
北京	上海	成都	南宁	北京	上海																																																														
电话:(010)8225-3225	电话:(021)6301-2827	电话:(028)8434-2075	电话:(0771)2621-501	电话:(010)8225-3225	电话:(021)6301-2827																																																														
Battery	O	O	O	O	O	O																																																													
本表格依据 SJ/T 11364 的规定编制。 O: 表示该有害物质在该部件所有均质材料中的含量均在 GB/T 26572 规定的限量要求以下。 X: 表示该有害物质在该部件的某一均质材料中的含量超出 GB/T 26572 规定的限量要求。 This table is made according to SJ/T 11364. O: Indicates that the concentration of hazardous substance in all of the homogeneous materials for this part is below the limit as stipulated in GB/T 26572. X: Indicates that concentration of hazardous substance in at least one of the homogeneous materials used for this part is above the limit as stipulated in GB/T 26572.																																																																			
<b>Asia</b> <b>China: Delta Electronics (Shanghai) Co., Ltd.</b> No.182 Mimyu Rd., Pudong Shanghai, P.R.C. Post code: 201209 TEL: +86-21-6872-3988 / FAX: +86-21-6872-3996 Customer Service: 400-820-9595 <b>Japan: Delta Electronics (Japan), Inc.</b> Industrial Automation Sales Department 2-1-14 Shibadainmon, Minato-ku Tokyo, Japan 105-0012 TEL: +81-3-5733-1155 / FAX: +81-3-5733-1255 <b>Korea: Delta Electronics (Korea), Inc.</b> 1511, 219, Gasan Digital 1-Ro., Geumcheon-gu, Seoul, 08501 South Korea TEL: +82-2-515-5306 / FAX: +82-2-515-5302 <b>Singapore: Delta Energy Systems (Singapore) Pte Ltd.</b> 4 Kaki Bukit Avenue 1, #05-04, Singapore 417939 TEL: +65-6747-5155 / FAX: +65-6744-9228 <b>India: Delta Electronics (India) Pvt. Ltd.</b> Plot No.43, Sector 35, HSIDC Gurgaon, PIN 122001, Haryana, India TEL: +91-124-4874900 / FAX: +91-124-4874945																																																																			
<b>Thailand: Delta Electronics (Thailand) PCL.</b> 909 Soi 9, Moo 4, Bangpoo Industrial Estate (E.P.Z), Pattana 1 Rd., T.Phraksa, A.Muang, Samutprakam 10280, Thailand TEL: +66-2709-2800 / FAX: +66-2709-2827 <b>Australia: Delta Electronics (Australia) Pty Ltd.</b> Unit 2, Building A, 18-24 Ricketts Road, Mount Waverley, Victoria 3149 Australia Mail: IA.au@deltaww.com TEL: +61-1300-335-823 / +61-3-9543-3720 <b>Americas</b> <b>USA: Delta Electronics (Americas) Ltd.</b> 5101 Davis Drive, Research Triangle Park, NC 27709, U.S.A. TEL: +1-919-767-3813 / FAX: +1-919-767-3969 <b>Brazil: Delta Electronics Brazil Ltd.</b> Estrada Velha Rio-São Paulo, 5300 Eugênio de Melo - São José dos Campos CEP:12247-004-SP- Brazil TEL: +55-12-3932-2300 / FAX: +55-12-3932-237 <b>Mexico: Delta Electronics International Mexico S.A. de C.V.</b> Gustavo Baz No. 309 Edificio E PB 103 Colonia La Loma, CP 54060 Tlalpan, Estado de México TEL: +52-55-3603-9200																																																																			
<b>EMEA</b> <b>EMEA Headquarters: Delta Electronics (Netherlands) B.V.</b> Sales: Sales.IA.EMEA@deltaww.com Marketing: Marketing.IA.EMEA@deltaww.com Technical Support: iatechnicalsupport@deltaww.com Customer Support: Customer-Support@deltaww.com Service: Service.IA.emea@deltaww.com TEL: +31(0)40 800 3900 <b>BENELUX: Delta Electronics (Netherlands) B.V.</b> Automotive Campus 260, 5708 JZ Helmond, The Netherlands Mail: Sales.IA.Benelux@deltaww.com TEL: +31(0)40 800 3900 <b>DACH: Delta Electronics (Netherlands) B.V.</b> Coesterweg 45, D-59494 Soest, Germany Mail: Sales.IA.DACH@deltaww.com TEL: +49 2921 987 238 <b>France: Delta Electronics (France) S.A.</b> ZI du bois Chaland 2, 15 rue des Pyrénées, Lisses, 91090 Evry Cedex, France Mail: Sales.IA.FR@deltaww.com TEL: +33(0)1 69 77 82 60 <b>UK: Delta Electronics Europe Ltd.</b> 1 Redwood Court, East Kilbride, Glasgow, G74 5PF, United Kingdom TEL: +44-1355-588-888																																																																			
<b>Iberia: Delta Electronics Solutions (Spain) S.L.U</b> Ctra. De Villaverde a Vallecas, 265 1º Dcha Ed. Hornigueros - P.I. de Vallecas 28031 Madrid TEL: +34(0)91 223 74 20 Carrer Llacuna 166, 08018 Barcelona, Spain Mail: Sales.IA.Iberia@deltaww.com <b>Italy: Delta Electronics (Italy) S.r.l.</b> Via Meda 2--22060 Novedrate(CO) Piazza Grazioli 18 00196 Roma Italy Mail: Sales.IA.Italy@deltaww.com TEL: +39 039 8900365 <b>Russia: Delta Energy System LLC</b> Verenskaya Plaza II, office 112 Verenskaya str. 17 121357 Moscow Russia Mail: Sales.IA.RU@deltaww.com TEL: +7 495 644 3240 <b>Turkey: Delta Greentech Elektronik San. Ltd. Sti. (Turkey)</b> Serifali Mah. Hendem Cad. Kule Sok. No:16-A 34775 Ümraniye - İstanbul Mail: Sales.IA.Turkey@deltaww.com TEL: +90 216 499 9910 <b>MEA: Eltek Dubai (Eltek MEA DMCC)</b> OFFICE 2504, 25th Floor, Saba Tower 1, Jumeirah Lakes Towers, Dubai, UAE Mail: Sales.IA.MEA@deltaww.com TEL: +971(0)4 2690148																																																																			

\*We reserve the right to change the information in this instruction sheet without prior notice.