

AX-504AD20-0A

AX-508AD20-0A

EN Instruction Sheet

TR Bilgi Dökümanı

TW 安裝說明


CN 安装说明



5014153800
2023-06-10



www.deltaww.com

- EN This is an OPEN TYPE module and therefore should be installed in an enclosure free of airborne dust, humidity, electric shock and vibration. The enclosure should prevent non-maintenance staff from operating the device (e.g. key or specific tools are required for operating the enclosure) in case danger and damage on the device may occur.
- FR Ceci est un module ouvert et il doit donc être installé dans un coffret à l'abri des poussières, des vibrations et ne pas être exposé aux chocs électriques. Le boîtier ou l'armoire doit éviter toute action d'un personnel autre que celui affecté à la maintenance de l'appareil (par exemple, clefs, outils spécifiques pour l'ouverture du coffret), ceci afin d'éviter tout accident corporel ou endommagement du produit).
-  TR Bu ürün AÇIK TİP bir modül olup toz, rutubet, elektrik şoku ve titreşimden uzak kapalı yerlerde muhafaza edilmelidir. Yanlış kullanım sonucu ürünün zarar görmesini önlemek için yetkili olmayan kişiler tarafından ürüne müdahale edilmesini önleyecek koruyucu önlemler alınmalıdır. (Ürünün bulunduğu panoya kilit konulması gibi).
- TW 本機為開放型 (OPEN TYPE) 機種，因此使用者使用本機時，必須將之安裝於具防塵、防潮及免於電擊/衝擊意外之外殼配線箱內。另必須具備保護措施 (如：特殊之工具或鑰匙才可打開) 防止非維護人員操作或意外衝擊本體，造成危險及損壞。
- CN 本机为开放型 (OPEN TYPE) 机种，因此使用者使用本机时，必须将其安装于具防尘、防潮及免于电击/冲击意外的外壳配线箱内。另必须具备保护措施 (如：特殊的工具或钥匙才可打开) 防止非维护人员操作或意外冲击本体，造成危险及损坏。

EN Please refer to the AX-5 Series Module Manual for details.

TR Ayrıntılar için lütfen AX-5 Serisi Modül Kılavuzu'na bakın.

TW 詳細資料請參考 AX-5 系列模組手冊

CN 详细数据请参考 AX-5 系列模块手册

EN Assembly

TR Montaj

TW 安裝

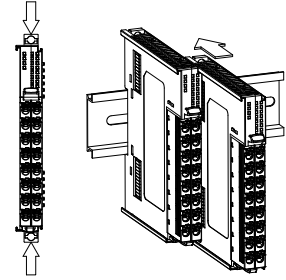
CN 组装

EN Clip up the two DIN rail clip on the module. Parallel the module groove on the back to the DIN rail, then push and slide along until hearing a click.

TR Modül üzerindeki iki DIN ray klipsini dışa doğru çekin. Altındaki modül oyuğunu DIN ray ile paralel konuma getiriniz ve sonra klik sesini duyana kadar klipsleri içe doğru bastırın.

TW 將模組上下方的兩個 DIN 軌固定扣往中間壓後，將模組後方勾槽平行對準 DIN 軌並往 DIN 軌壓直到喀一聲，即完成。

CN 將模块上下方的两个 DIN 軌固定扣往中间压后，將模块后方勾槽平行对准 DIN 軌并往 DIN 軌压直到喀一聲，即完成。

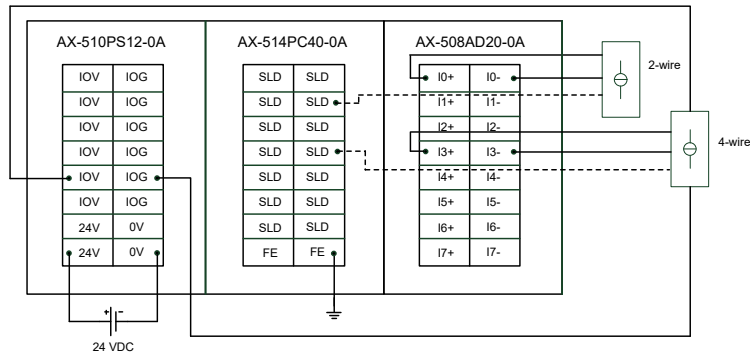


EN Input

TR Girişler

TW 輸入

CN 输入



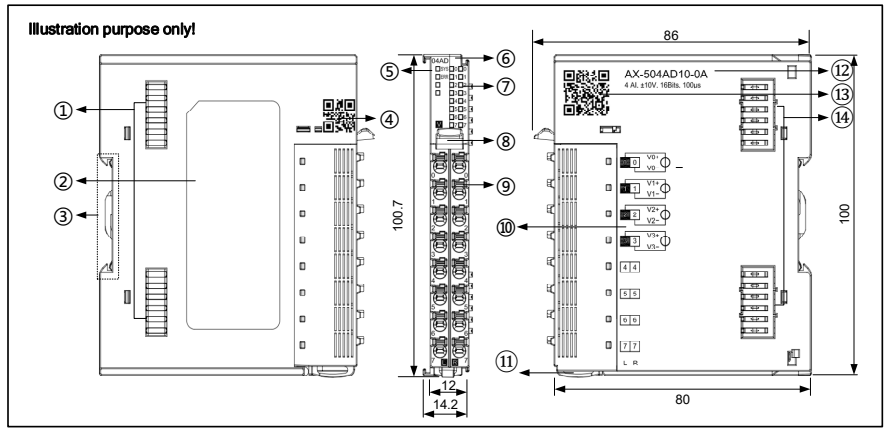
EN 4/8 AI, ± 20 mA, 16 Bits, 100 μ s

TR 4/8 AI, ± 20 mA, 16 bit, 100 μ s

TW 4/8 通道類比信號輸入 · ± 20 mA · 16Bits · 100 μ s

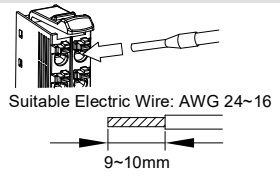
CN 4/8 信道模拟信号输入 · ± 20 mA · 16Bits · 100 μ s

EN Dimensions(mm) & Product Profile
 TR Ölçüler(mm) & Ürün Görünüşü
 TW 尺寸 (mm) 及產品外觀
 CN 尺寸 (mm) 及產品外觀



	EN	TR	TW	CN
1	AX connector (L)	AX Konnektörü (L)	AX 連接器 (L)	AX 连接器 (L)
2	Label	Etiket	標籤	标签
3	DIN rail clip	Din rayı Klipsi	DIN 軌固定扣	DIN 軌固定扣
4	QR Code (Model number)	QR kodu (model numarası)	機種型號 QR Code	机种型号 QR Code
5	System status indicator	Sistem Durumu Göstergesi	系統狀態燈	系统状态灯
6	Model code	Model kodu	機種代碼	机种代码
7	Channel status indicator	Kanal Durum Göstergesi	通道狀態燈	通道状态灯
8	Spring to hold the connection	Bağlantıyı tutmak için yay	脫落式端子拉勾	脱落式端子卡扣
9	Spring-clamp terminal block	Yay-kelepçe terminal bloğu	脫落式端子	脱落式端子
10	Wiring	Kablolama	配線圖	配线图
11	Wire fastener	Kablo Bağı	電線固定環	电线固定环
12	Model number and model description	Model Numarası ve Model Tanımı	機種型號及功能說明	机种型号及功能说明
13	QR Code (Model number and model description)	QR kodu (model numarası ve model açıklaması)	機種型號及功能說明 QR Code	机种型号及功能说明 QR Code
14	AX connector (R)	AX Konnektörü (R)	AX 連接器 (R)	AX 连接器 (R)

	EN	TR	TW	CN
EN Wiring		Bağlantı	配線	配线
EN	Use solid or strand wires in a diameter of 24 AWG – 16 AWG and with wire ferrules for inputs and outputs.			
TR	Girişler ve çıkışlar için 24 AWG - 16 AWG çapında tek veya çok telli kablo ile birlikte ucunda kablo pabucu kullanın.			
TW	輸出 / 入配線端請使用 24-16AWG 單蕊或多蕊線+棒端子。端子規格及配線示意圖如右所示。			
CN	輸出 / 入配線端請使用 24-16AWG 單蕊或多蕊線+棒端子。端子規格及配線示意图如右所示。			



Part Name	Hazardous Substances						Lead (Pb)	Mercury (Hg)	Cadmium (Cd)	Hexavalent Chromium (Cr VI)	Polybrominated Biphenyls (PBB)	Polybrominated Diphenyl Ethers (PBDE)	Part Name
	Pb	Hg	Cd	Cr VI	PBB	PBDE							
金屬部件 Metal Part	X	O	O	O	O	O							台達電子工業股份有限公司 機電事業群 地址：33068 桃園市桃園區興隆路 18 號 電話：886-3-3626301 傳真：886-3-3716301
塑料部件 Plastic Part	O	O	O	O	O	O							
電子零件 Electronic	X	O	O	O	O	O							中达电通股份有限公司 地址：上海市浦东新区民夏路 238 号 邮编：201209 电话：(021) 5863-5678 传真：(021) 5863-0003
触点 Contacts	O	O	X	O	O	O							
线缆和线缆附件 Cable & Cabling accessories	X	O	O	O	O	O							Industrial Automation Headquarters Delta Electronics, Inc. Taoyuan Technology Center No.18, Xinglong Rd., Taoyuan District, Taoyuan City, 33068, Taiwan TEL: 886-3-362-6301 / FAX: 886-3-371-6301
電池 Battery	O	O	O	O	O	O							
本表格依据 SJ/T 11364 的规定编制。 O: 表示该有害物质在该部件所有均质材料中的含量均在 GB/T 26572 规定的限量要求以下。 X: 表示该有害物质至少在该部件的某一均质材料中的含量超出 GB/T 26572 规定的限量要求。 This table is made according to SJ/T 11364. O: Indicates that the concentration of hazardous substance in all of the homogeneous materials for this part is below the limit as stipulated in GB/T 26572. X: Indicates that concentration of hazardous substance in at least one of the homogeneous materials used for this part is above the limit as stipulated in GB/T 26572.													Delta Greentech (China) Co., Ltd. 238 Min-Xia Road, Pudong District, Shanghai, P.R.C. 201209 TEL: 86-21-5863-5678 / FAX: 86-21-5863-0003
* 本手冊內容若有變更，恕不另行通知。 * 本手冊內容若有更改，恕不另行通知。													
Asia China: Delta Electronics (Shanghai) Co., Ltd. No.182 Mimyu Rd., Pudong Shanghai, P.R.C. Post code: 201209 TEL: +86-21-6872-3988 / FAX: +86-21-6872-3996 Customer Service: 400-820-9595 Japan: Delta Electronics (Japan), Inc. Industrial Automation Sales Department 2-1-14 Shiba-daimon, Minato-ku Tokyo, Japan 105-0012 TEL: +81-3-5733-1155 / FAX: +81-3-5733-1255 Korea: Delta Electronics (Korea), Inc. 1511, 219, Gasan Digital 1-Ro., Geumcheon-gu, Seoul, 06501 South Korea TEL: +82-2-515-5306 / FAX: +82-2-515-5302 Singapore: Delta Energy Systems (Singapore) Pte Ltd. 4 Kaki Bukit Avenue 1, #05-04, Singapore 417939 TEL: +65-6747-5155 / FAX: +65-6744-9228 India: Delta Electronics (India) Pvt. Ltd. Plot No.43, Sector 35, HSIDC Gurgaon, PIN 122001, Haryana, India TEL: +91-124-4874900 / FAX: +91-124-4874945			Thailand: Delta Electronics (Thailand) PCL. 909 Soi 9, Moo 4, Bangpoo Industrial Estate (E.P.Z), Pattana 1 Rd., T.Phraksa, A.Muang, Samutprakam 10280, Thailand TEL: +66-2709-2800 / FAX: +66-2709-2827 Australia: Delta Electronics (Australia) Pty Ltd. Unit 2, Building A, 18-24 Ricketts Road, Mount Waverley, Victoria 3149 Australia Mail: IA.au@deltaww.com TEL: +61-1300-335-823 / +61-3-9543-3720 Americas USA: Delta Electronics (Americas) Ltd. 5101 Davis Drive, Research Triangle Park, NC 27709, U.S.A. TEL: +1-919-767-3813 / FAX: +1-919-767-3969 Brazil: Delta Electronics Brazil Ltd. Estrada Velha Rio-São Paulo, 5300 Eugênio de Melo - São José dos Campos CEP:12247-004-SP- Brazil TEL: +55-12-3932-2300 / FAX: +55-12-3932-237 Mexico: Delta Electronics International Mexico S.A. de C.V. Gustavo Baz No. 309 Edificio E PB 103 Colonia La Loma, CP 54060 Tlalpan, Estado de México TEL: +52-55-3603-9200			EMEA EMEA Headquarters: Delta Electronics (Netherlands) B.V. Sales: Sales.IA.EMEA@deltaww.com Marketing: Marketing.IA.EMEA@deltaww.com Technical Support: iatechnicalsupport@deltaww.com Customer Support: Customer-Support@deltaww.com Service: Service.IA.emea@deltaww.com TEL: +31(0)40 800 3900 BENELUX: Delta Electronics (Netherlands) B.V. Automotive Campus 260, 5708 JZ Helmond, The Netherlands Mail: Sales.IA.Benelux@deltaww.com TEL: +31(0)40 800 3900 DACH: Delta Electronics (Netherlands) B.V. Coesterweg 45, D-59494 Soest, Germany Mail: Sales.IA.DACH@deltaww.com TEL: +49 2921 987 238 France: Delta Electronics (France) S.A. ZI du bois Chaland 2, 15 rue des Pyrénées, Lisses, 91090 Evry Cedex, France Mail: Sales.IA.FR@deltaww.com TEL: +33(0)1 69 77 82 60 UK: Delta Electronics Europe Ltd. 1 Redwood Court, East Kilbride, Glasgow, G74 5PF, United Kingdom TEL: +44-1355-588-888			Iberia: Delta Electronics Solutions (Spain) S.L.U Ctra. De Villaverde a Vallecas, 265 1º Dcha Ed. Hornigueros - P.I. de Vallecas 28031 Madrid TEL: +34(0)91 223 74 20 Carrer Llacuna 166, 08018 Barcelona, Spain Mail: Sales.IA.Iberia@deltaww.com Italy: Delta Electronics (Italy) S.r.l. Via Meda 2--22060 Novedrate(CO) Piazza Grazioli 18 00196 Roma Italy Mail: Sales.IA.Italy@deltaww.com TEL: +39 039 8900365 Russia: Delta Energy System LLC Verenskaya Plaza II, office 112 Verenskaya str. 17 121357 Moscow Russia Mail: Sales.IA.RU@deltaww.com TEL: +7 495 644 3240 Turkey: Delta Greentech Elektronik San. Ltd. Sti. (Turkey) Serifali Mah. Hendem Cad. Kule Sok. No:16-A 34775 Ümraniye - İstanbul Mail: Sales.IA.Turkey@deltaww.com TEL: +90 216 499 9910 MEA: Ettek Dubai (Ettek MEA DMCC) OFFICE 2504, 25th Floor, Saba Tower 1, Jumeirah Lakes Towers, Dubai, UAE Mail: Sales.IA.MEA@deltaww.com TEL: +971(0)4 2690148				

*We reserve the right to change the information in this instruction sheet without prior notice.