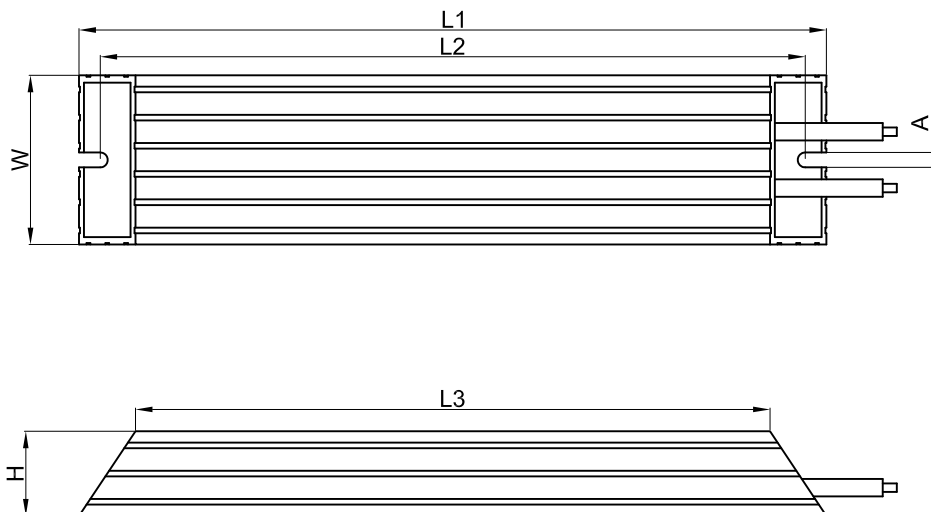


Cable Specification :  
size : 16AWG  
Length : 200mm



UNIT: MM

MODEL	TYPE	L1	L2	L3	W	H	A
BR080W200	A1	140.0	125.0	100.0	40.0	20.0	5.3
BR080W750							
BR200W091	A2	165.0	150.0	125.0	60.0	30.0	
BR200W360							
BR300W025	A3	215.0	200.0	175.0	60.0	30.0	
BR300W070							
BR300W100							
BR300W110							
BR300W250							
BR300W400	A4	265.0	250.0	225.0	60.0	30.0	
BR400W040							
BR400W150							



台達電子工業股份有限公司

**DELTA**

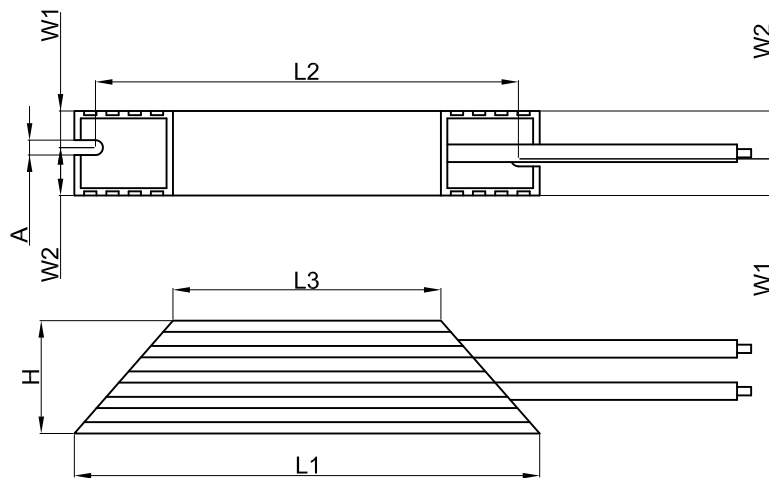
DELTA ELECTRONICS, INC.

THESE DRAWINGS AND SPECIFICATIONS ARE THE PROPERTY OF DELTA ELECTRONICS, INC. AND SHALL NOT BE REPRODUCED OR USED AS THE BASIS FOR THE MANUFACTURE OR SELL OF APPARATUSES OR DEVICES WITHOUT PERMISSION.

DOCUMENT NAME

VFD-BR-A-PD

Cable Specification :  
 size : 16AWG  
 Length : 200mm



UNIT: MM

MODEL	TYPE	L1	L2	L3	W1	W2	H	A
BR200W150	A5	165.0	150.0	95.0	13.0	17.0	40.0	5.3



**DELTA**

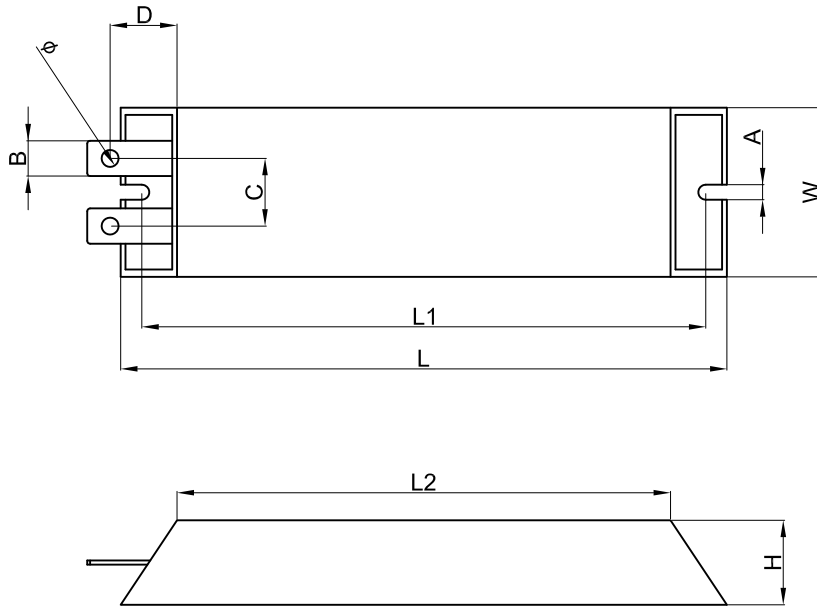
台達電子工業股份有限公司

DELTA ELECTRONICS, INC.

THESE DRAWINGS AND SPECIFICATIONS ARE THE PROPERTY OF DELTA ELECTRONICS, INC.  
 AND SHALL NOT BE REPRODUCED OR USED AS THE BASIS FOR THE MANUFACTURE OR SELL  
 OF APPARATUSES OR DEVICES WITHOUT PERMISSION.

DOCUMENT NAME

VFD-BR-A-PD



UNIT: MM

MODEL	TYPE	L	L1	L2	W	A	B	C	D	H	$\phi$
BR500W030	A6	335.0	320.0	295.0	60.0	5.3	12.5	24.0	22.0	30.0	6.0
BR500W100											



台達電子工業股份有限公司

**DELTA**

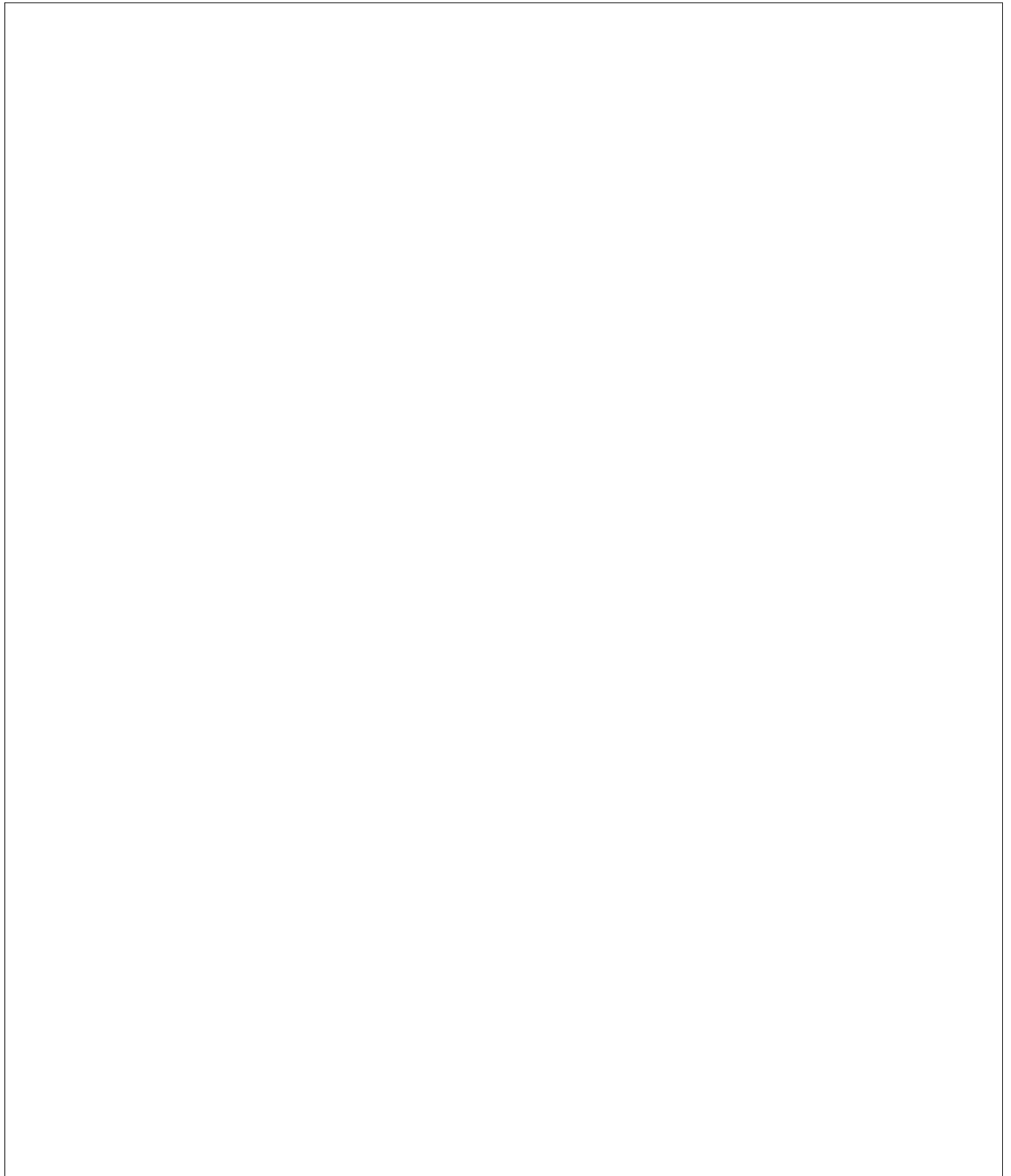
**DELTA ELECTRONICS, INC.**

THESE DRAWINGS AND SPECIFICATIONS ARE THE PROPERTY OF DELTA ELECTRONICS, INC. AND SHALL NOT BE REPRODUCED OR USED AS THE BASIS FOR THE MANUFACTURE OR SELL OF APPARATUSES OR DEVICES WITHOUT PERMISSION.

DOCUMENT NAME

VFD-BR-A-PD

DRAWING\_2



04			
03			
02			
01			
00	FIRST RELEASE		2017/11/22
REV.	DESCRIPTION		DATE
DRAWN	ALLEN HOU	DESIGN	ALLEN HOU